
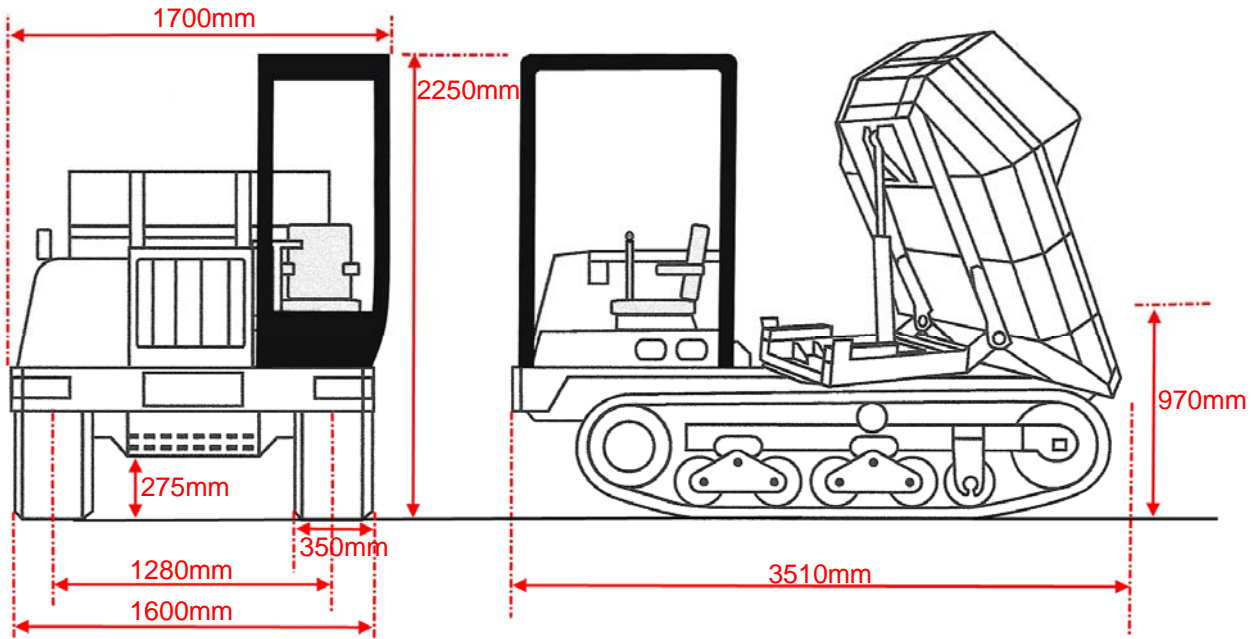
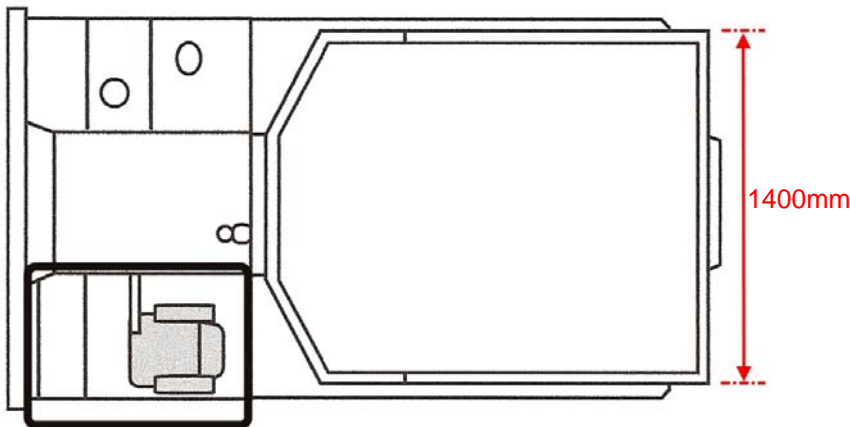


MOROOKA MST300VDR



ENGINE	
Make:	
Model:	V2203-M-EU32
4 cylinder, Displacement: 2.2 litre	
48 PS / 39.5KW @ 2800 rpm	
Fuel Tank capacity: 61 Litres	
Bi-Directional seat positions	
Machine weight: 2450Kg	
Payload: 2500Kg	
PERFORMANCE	
Travel speed: - Low 0 ~ 6 kph	
Travel speed: - High 0 ~ 12 kph	
Gradeability: (empty) 30 degrees	
Ground Pressure empty: 0.16 Kg/cm ²	
Ground Pressure loaded: 0.32 kg/cm ²	
Track width: 350mm	
Body Rotation angle: 160 degrees	



CAUTRAC

Colchester ☎ 01206 273111

www.cautrac.com

Bolton ☎ 01204 791122